

## Track System Specification

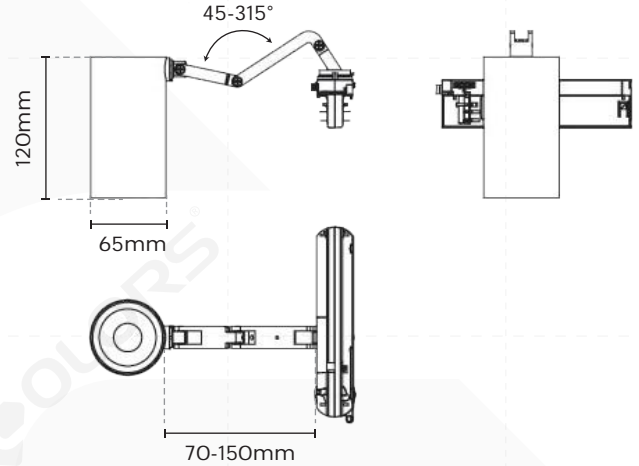
# HTSL-65

## — H-Track series



## Basic Parameters

- Material: AL6063-T5, spraying surface
- Color: White/Black optional
- Lighting Direction: Adjustable
- Beam Angle: 24°/36°(Optional)
- Dimming Method: Non/DALI Dimming (Optional)
- SDCM: ≤3
- CRI: >90
- CCT: 3000K/4000K optional
- Input Voltage: AC220-240V
- Application: Indoor Lighting
- Installation: Track
- IP Grade: IP20
- Certification: CE, UKCA, RoHS, REACH
- Warranty: 5 years



## Luminaire Parameters

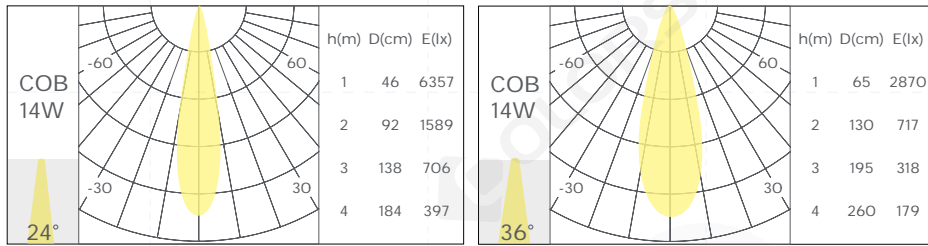
Model	Input Voltage (V)	LED Input Current (mA)	Typ. Power (W)	CRI	Beam Angle	CCT	Luminaire Luminous Flux(Lm)
HTSL-65	AC220V-240V	350	14	>90	24°	3000K	1430
						4000K	1540
HTSL-65	AC220V-240V	350	14	>90	36°	3000K	1265
						4000K	1360

### Note:

1. The above parameters are based on the light source of Ra90 and 3000K;
2. The input voltage of light source is 36VDC.
3. luminous flux is allowed to have a ±10% tolerance.;
4. The above parameters are typical values.

## Optical Parameter

Typ.Power:14W



## Packing

Model	Size (mm/box)	Quantity /box	Quantity /carton	NW (kg/box)	NW (kg/carton)	GW (kg)	Size (mm/carton)
TLS-HTSL65L2-XXX	260*140*80	1	16	0.6	9.6	16	580*270*340

## Model Code

TLS	-	HT	SL	65	L	2	-	14	90	40	36	-	N	B	B
System TLS: Track Light System		Series H: H-Track	Type: SL: Spotlight	Spotlight Size 65: 65mm	Diffuser L: Lens	Type 1: Angle is not adjustable 2: Angle adjustable		Type Power 14: 14W	CRI 90: Ra>90	CCT 30: 3000K 40: 4000K	Beam angle 24: 24° 36: 36°		Dimming Method N: Non-Dimming A: DALI Dimming X: No Power	Color W: White B: Black	Reflector Color B: Matte Black M: Matte White

## Attentions

1. Only qualified professional personnel shall perform installation, disassembly, repair, or servicing of this product. Unauthorized operation by unqualified individuals is strictly prohibited.
2. Avoid scratching, mechanical deformation, or unauthorized bending of the product during installation; this may result in irreversible mechanical or electrical damage to the unit.
3. Use specialized cutting tools when performing cutting operations on product components (if applicable).ible mechanical or electrical damage to the unit.
4. Do not use acidic or alkaline adhesives to secure or mount the product.
5. This product is intended for use exclusively in indoor dry locations and must not be deployed in outdoor, coastal, or high-humidity environments.